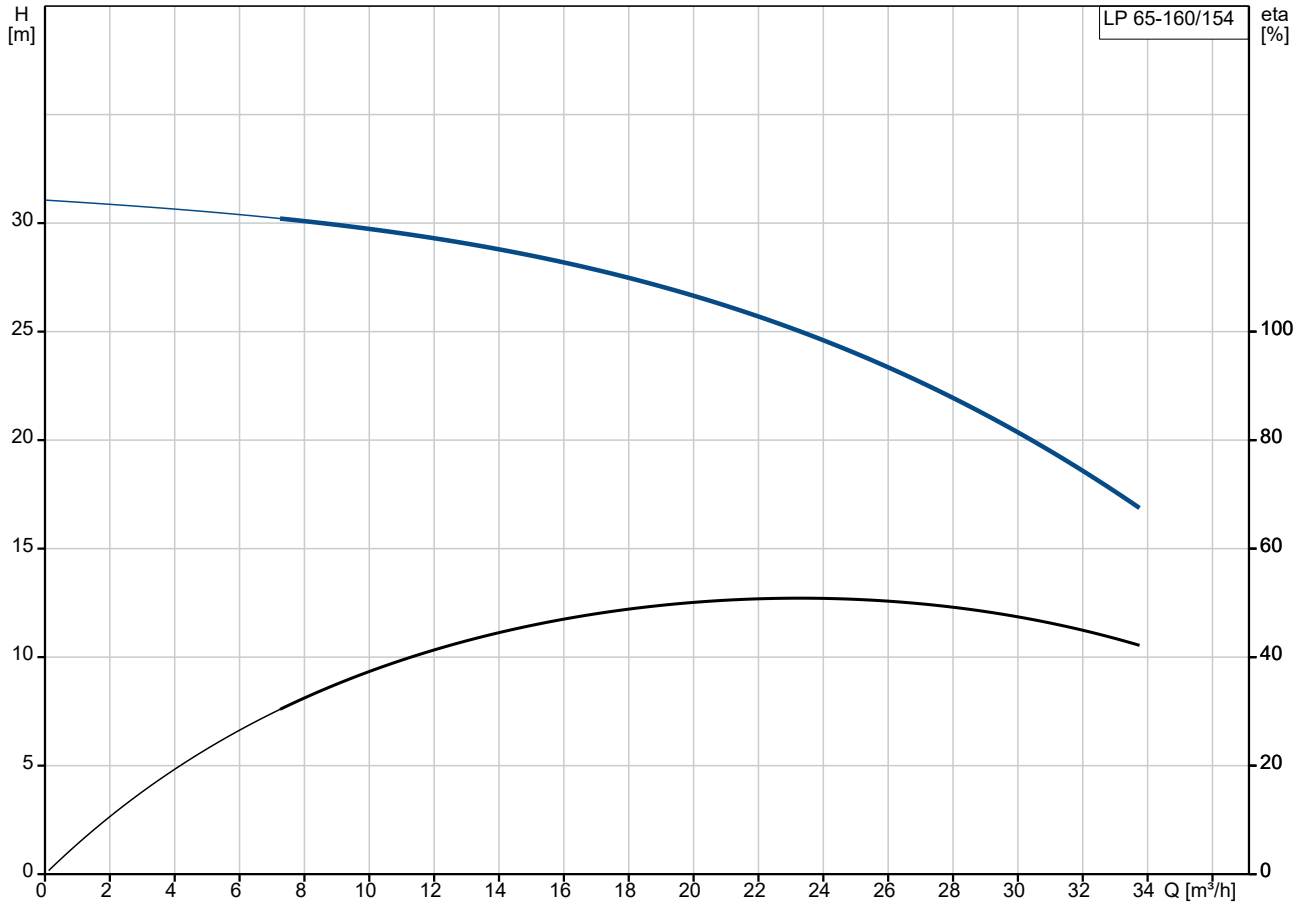
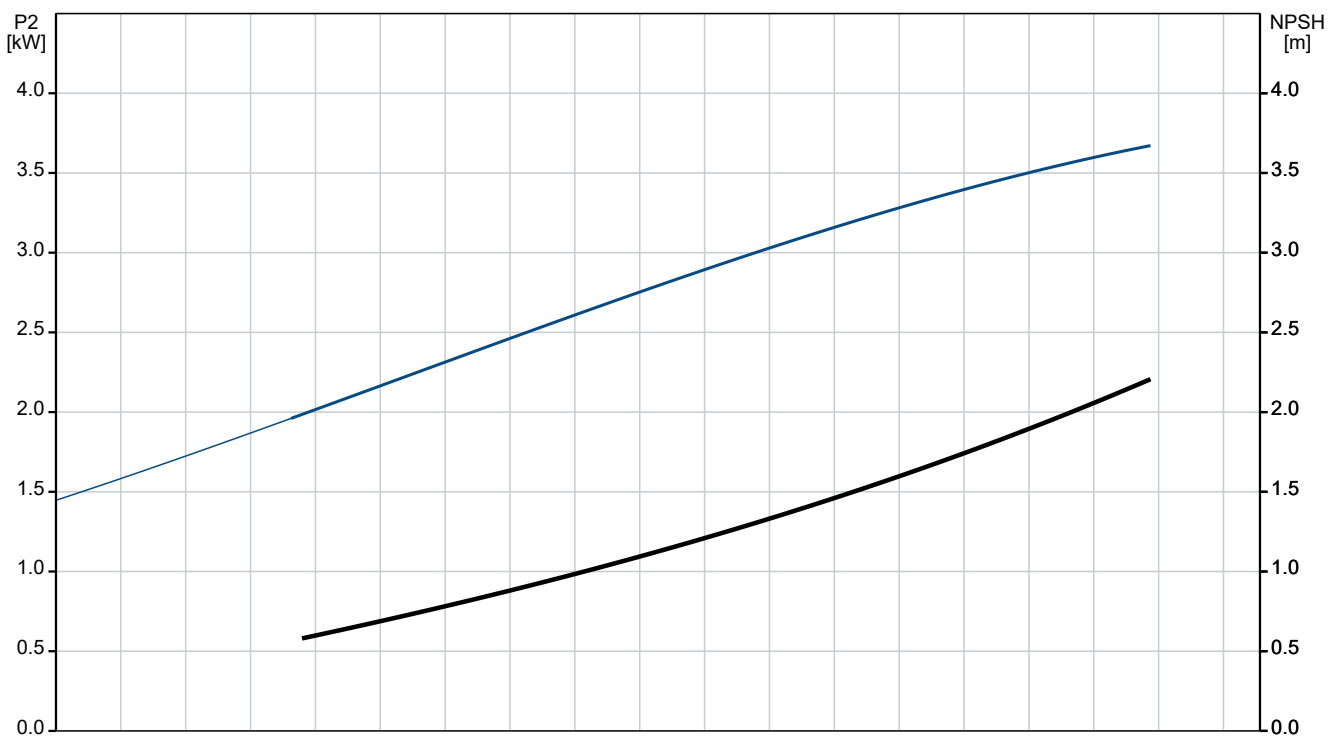


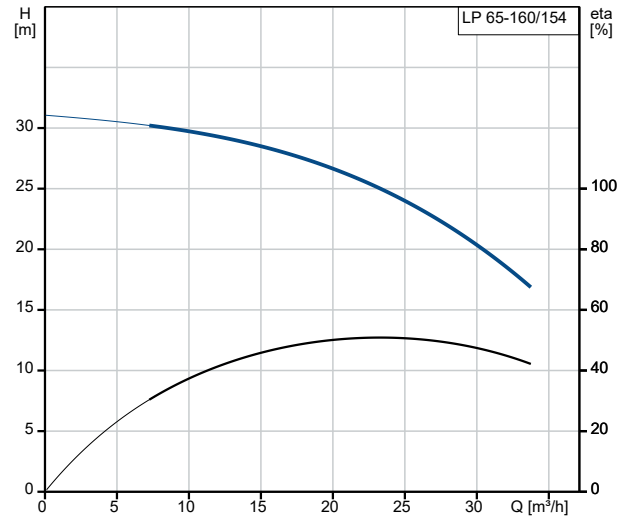
48060034 LP 65-160/154 A-F-A-BUBE 50 Hz



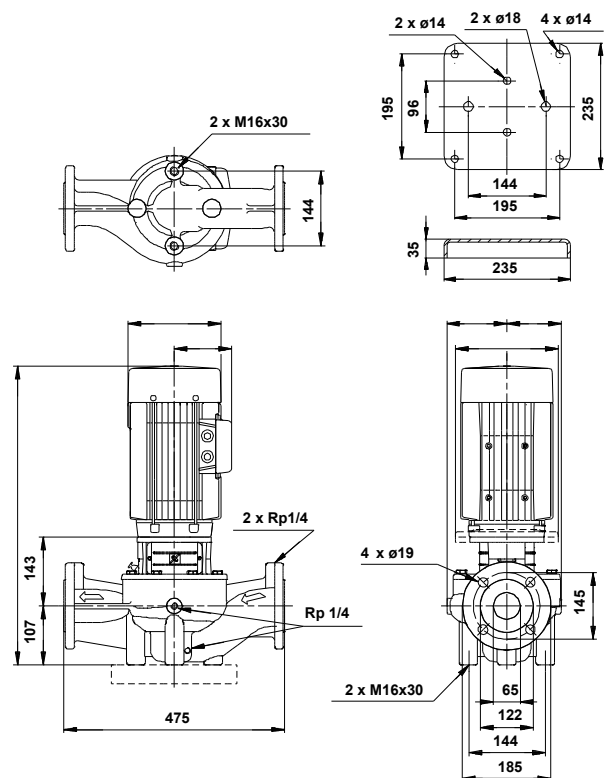
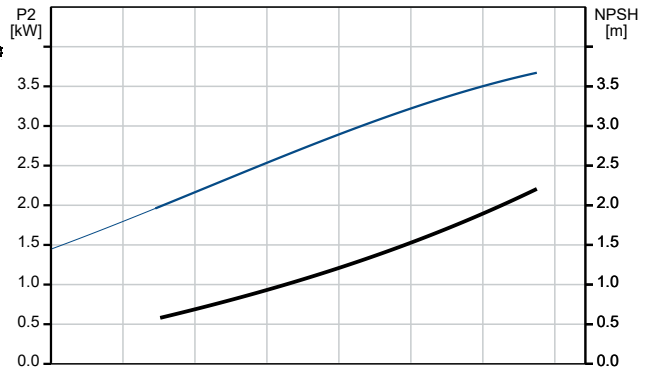
Pumped liquid = Water
 Liquid temperature during operation = 20 °C
 Density = 998.2 kg/m³



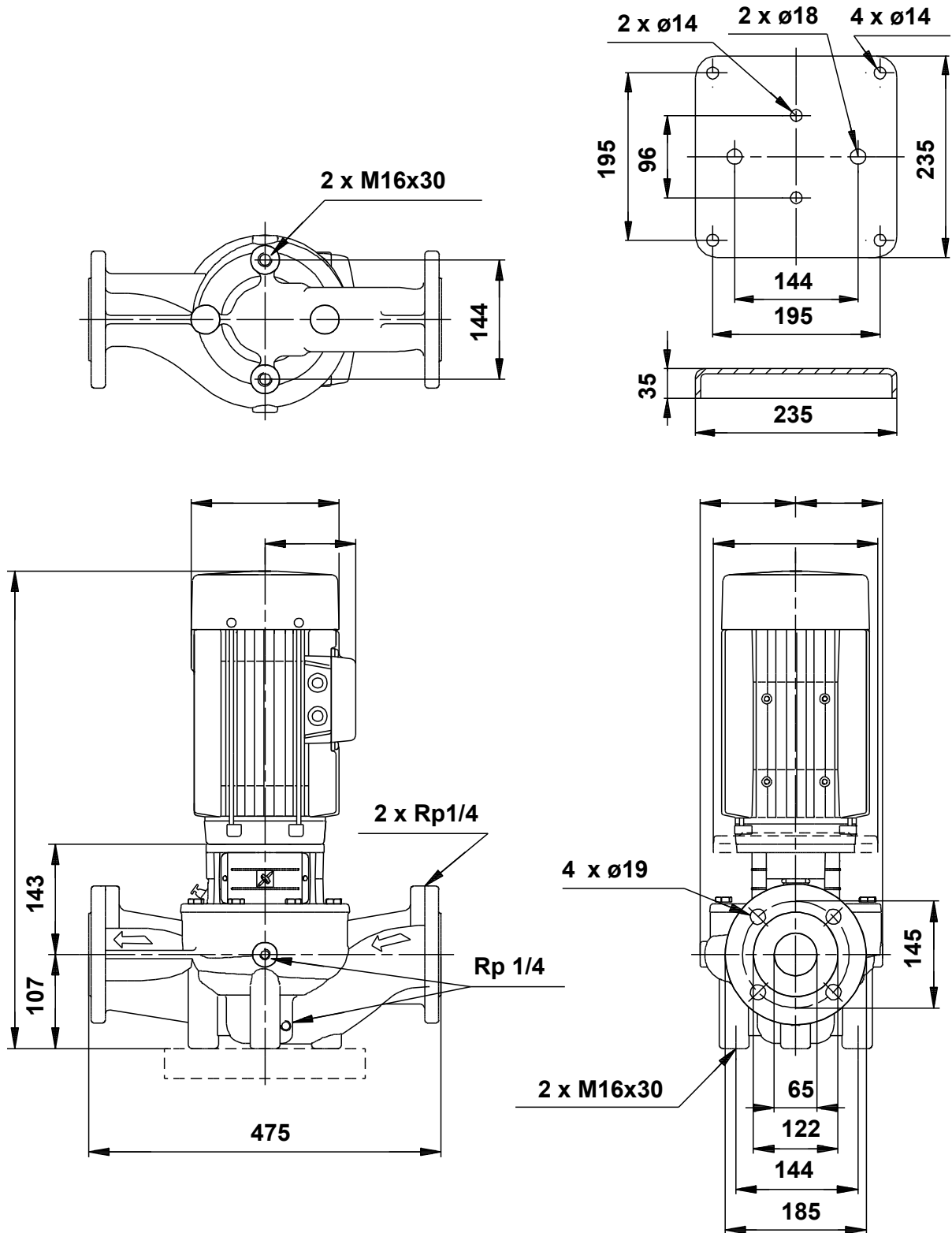
Description	Value
General information:	
Product name:	LP 65-160/154 A-F-A-BUBE
Product No:	48060034
EAN number:	5700390803315
Technical:	
Pump speed on which pump data are based:	2900 rpm
Rated flow:	22.5 m ³ /h
Rated head:	26 m
Actual impeller diameter:	154 mm
Impeller nom:	160 mm
Primary shaft seal:	BUBE
Pump version:	A
Model:	C
Materials:	
Pump housing:	Cast iron
Pump housing:	EN-JL1040
Pump housing:	ASTM Class 35-40
Impeller:	Stainless steel
Impeller:	DIN W.-Nr. 1.4301
Impeller:	AISI 304
Material code:	A
Installation:	
Max pressure at stated temp:	16 bar / 140 °C
Flange standard:	DIN
Pipe connection:	DN 65
Pressure rating:	PN 16
Port-to-port length:	475 mm
Flange size for motor:	F130
Connect code:	F
Liquid:	
Pumped liquid:	Water
Liquid temperature range:	0 .. 140 °C
Selected liquid temperature:	20 °C
Density:	998.2 kg/m ³
Electrical data:	
Power (P2) required by pump:	4 kW
Others:	
Net weight:	51.3 kg



Pumped liquid = Water
Liquid temperature during operation = 20 °C
Density = 998.2 kg/m³



48060034 LP 65-160/154 A-F-A-BUBE 50 Hz



Note! All units are in [mm] unless others are stated.
Disclaimer: This simplified dimensional drawing does not show all details.